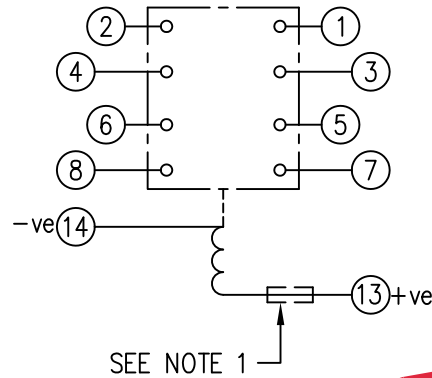


LOOKING ON FRONT OF RELAY



NOT SUBJECT TO UPDATE
ONCE COPIED / PRINTED
OR DOWNLOADED

NOTE:

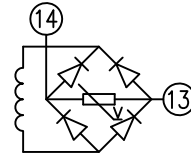
1. RESISTORS ARE ONLY USED ON CERTAIN VOLTAGES,
SEE CHART FOR DETAILS.

R1	NIL	2101C11680	NIL	2101C21681	NIL	2102C31562
Volts dc	24	30	48	60	125	240

HEAVY DUTY (HD) CONTACTS ARE FITTED WITH BLOWOUT MAGNETS AND ARE POLARITY CONSCIOUS.
SEE TABLE BELOW FOR +VE TERMINAL.

KEY	CONTACT CONFIG.	OUTPUT CONTACT PAIR / TERMINAL No.					
		1-3	2-4	5-7	6-8	9-11	10-12
make contact	4M	M	M	M	M		
break contact	3M 1B	M	B	M	M		
c/o contact	2M 2B	B	B	M	M		
ext. conn	1M 3B	B	B	M	B		
plug bridge - shorting	4B	B	B	B	B		
metering point	4M(HD)	M+	M+	M+	M+		
5Kv barrier	3M(HD) 1B(HD)	M+	M+	M+	+B		
test socket - shorting	2M(HD) 2B(HD)	M+	M+	+B	+B		
plug & socket	1M(HD) 3B(HD)	M+	+B	+B	+B		
	4B(HD)	+B	+B	+B	+B		
	2M(HD)2M(STD)	M+	M+	M	M		
	2M(HD)2B(STD)	M+	M+	B	B		
	2M(STD)2B(HD)	M	M	+B	+B		

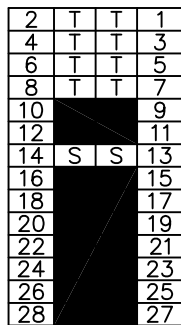
NOTE: WHEN RECTIFIER IS SPECIFIED
COIL CONNS. ARE AS SHOWN.



FRAME REFERENCE: E2FAQQ.

FRAME TERMINAL BLOCK ASSY: -

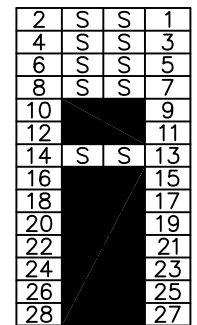
ASSEMBLY INSTRUCTIONS: -
TYPICAL ASSEMBLY DRAWING 2995G10032.
AT INDICATED POSITIONS FIT AS FOLLOWS:
T - FIT TRIP ISOLATION CONTACT 2995B10053
S - FIT STANDARD CONTACT 2995B10054
SECURE CONTACTS USING FIXING SCREW 2109F99009.
POSITIONS SHOWN BLANK ARE UNUSED



VIEW FROM NUMBERED SIDE OF BLOCK

OUTER TERMINAL BLOCK ASSY: -

ASSEMBLY INSTRUCTIONS: -
TYPICAL ASSEMBLY DRAWING 2995G10029.
AT INDICATED POSITIONS FIT AS FOLLOWS:
S - FIT STANDARD CONTACT 2995B10051
HC - FIT 'HEAVY CURRENT' KIT 2995G10030
WHERE IS SHOWN FIT CT SHORTING KIT 2995G10031
POSITIONS SHOWN BLANK ARE UNUSED.
ALL POSITIONS FIT SCREW 2106F12506.



VIEW FROM INSIDE FACE

Copyright © 1999 VATECH REYROLLE ACP Ltd. Hebburn

4 RDW 27/07/07 MN112/2888			Title: T.B. AND W.D. FOR XR152/XR153 4 CONT. RELAYS IN EPSILON E2 CASE.			First used on:		
3 RDW 22/10/04 HD ADDED MN112/2667			VATECH REYROLLE AUTOMATION, CONTROL & PROTECTION			Similar Articles:		
2 22/3/02 MN112/2268						Supersedes:		
1 28/4/99			Original Scale:			Drg.No. 2112W50095		
ISSUE	DATE	MOD.No.	DRAWN: A.LAW. CHECKED:			APPROVED: R.D.WATSON DATE: 17/07/02 IE:		
						OPS:		